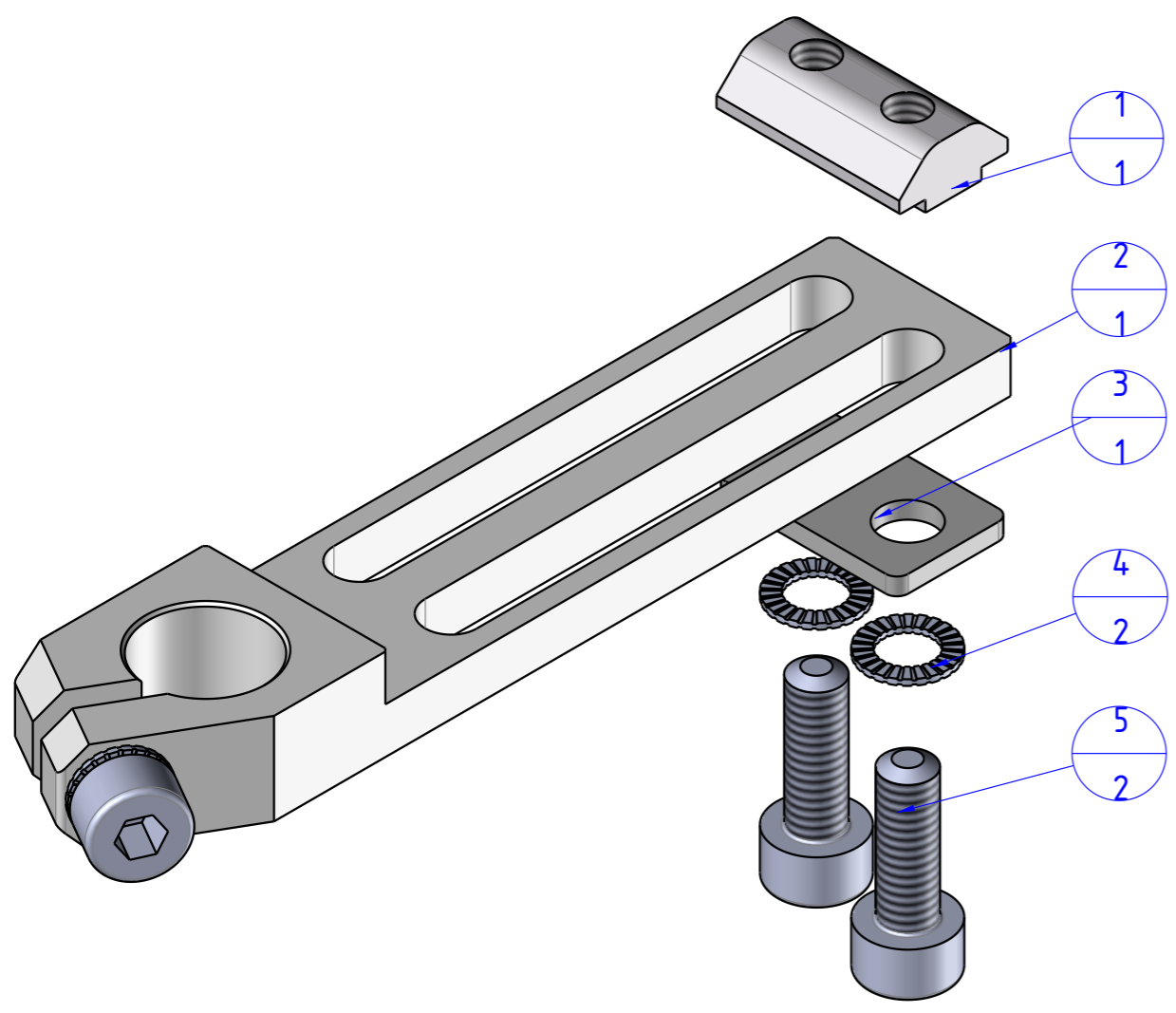
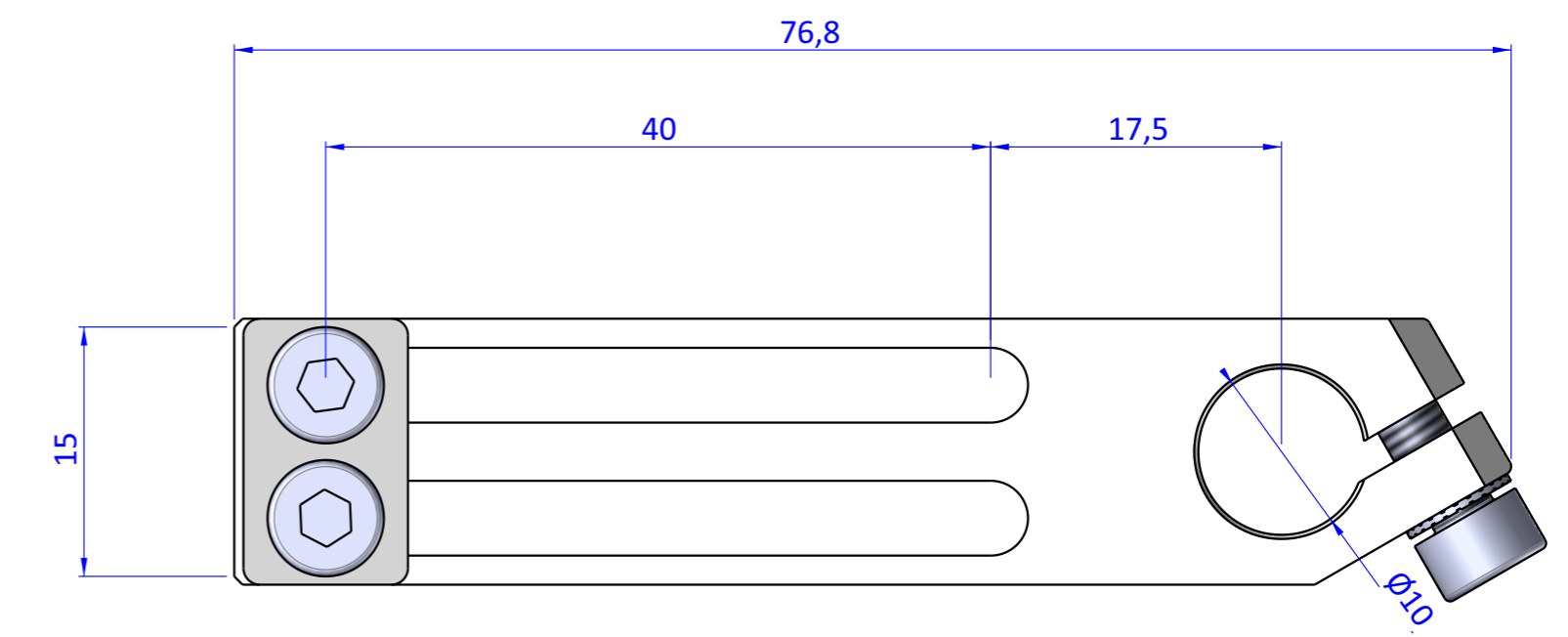
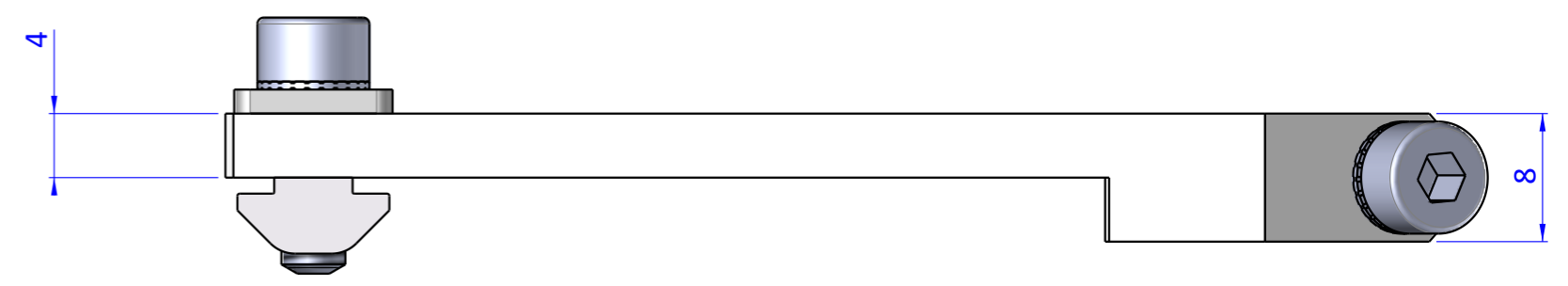



THE PROPERTY OF THE DRAWING IS ESTABLISHED BY LAW. IT IS FORBIDDEN TO PRODUCE OR SHOW IT TO THIRD PART. WITHOUT A WRITTEN AGREEMENT.

Item	Name	Q.ty
1	CA.GWP.4.8.F	1
2	CA.WSL.1040.U	1
3	R.04.08	1
4	R.4.SCH	2
5	V.TCE4x12	2



Format A3
UNI 936-76

 FPS SERVICES AUTOMATION		DESIGNED FROM		REVIEW
		FPS Automation		A
GENERAL TOLERANCE		DATE	WEIGHT	
UNI - ISO 2768		18/11/2022	0,018kg	
CLASSE f		DESCRIPTION	CODE	
		CA.WSL.1040.U.5	CA.WSL.1040.U.5	